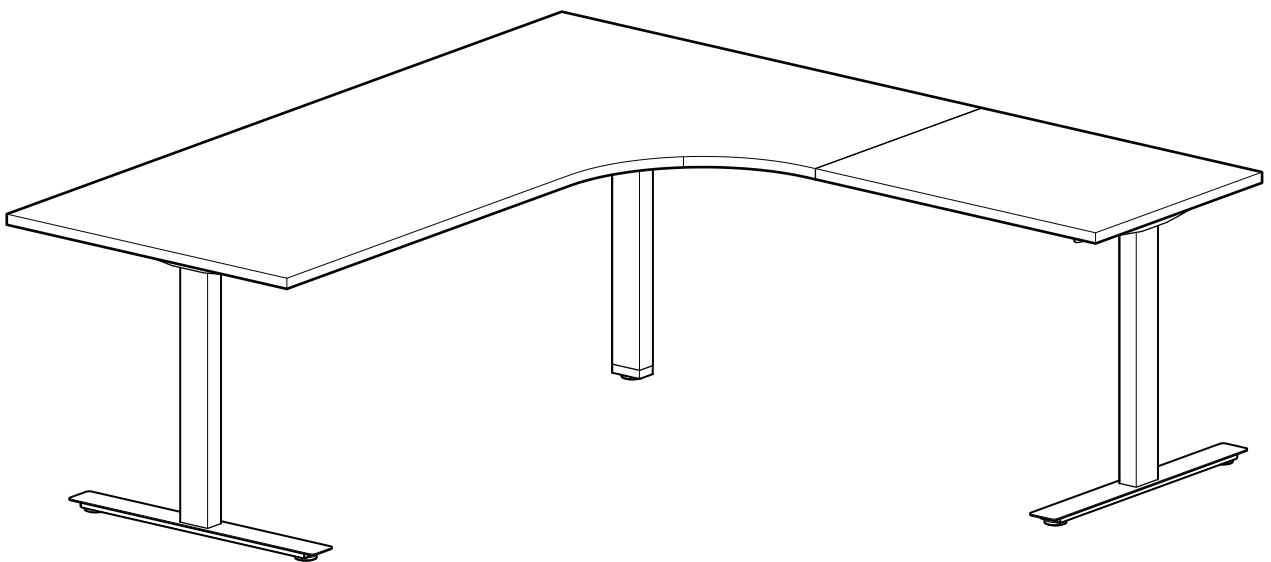


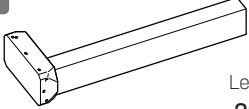
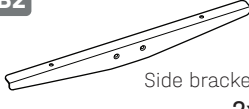
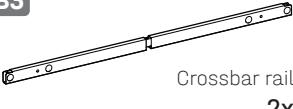
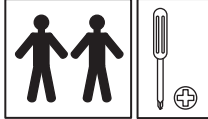
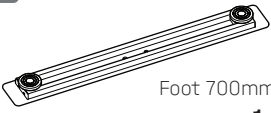
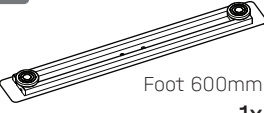
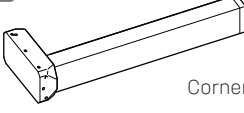
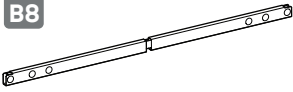
Assembly instructions

Fixed 3-leg corner desk

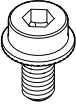
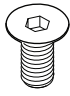

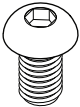


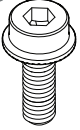
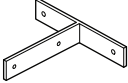
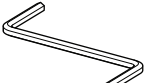


PACKAGE CONTENTS

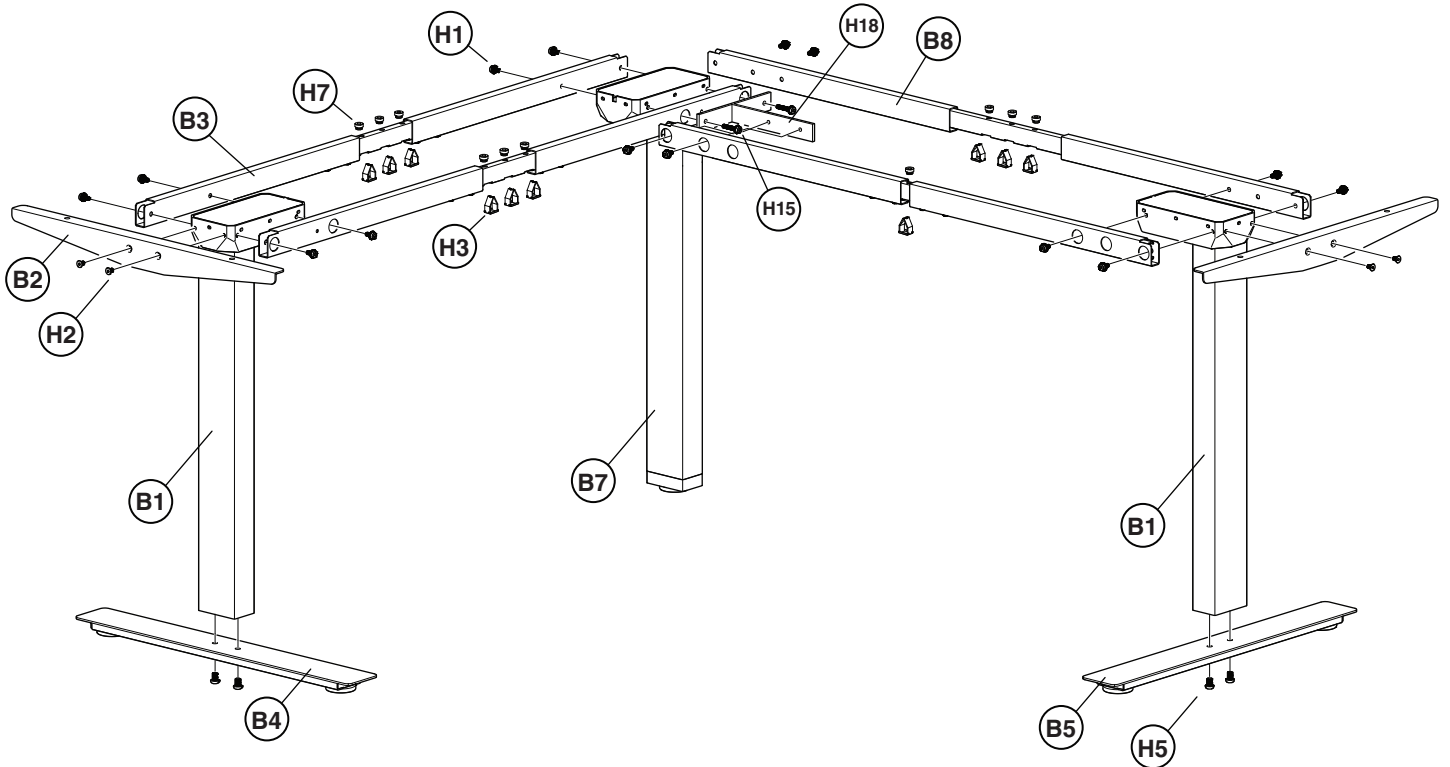
DESK COMPONENTS

B1  Leg 2x	B2  Side bracket 2x	B3  Crossbar rail 2x	
B4  Foot 700mm 1x	B5  Foot 600mm 1x	B7  Corner leg 1x	B8  Crossbar rail (Corner leg) 2x

HARDWARE

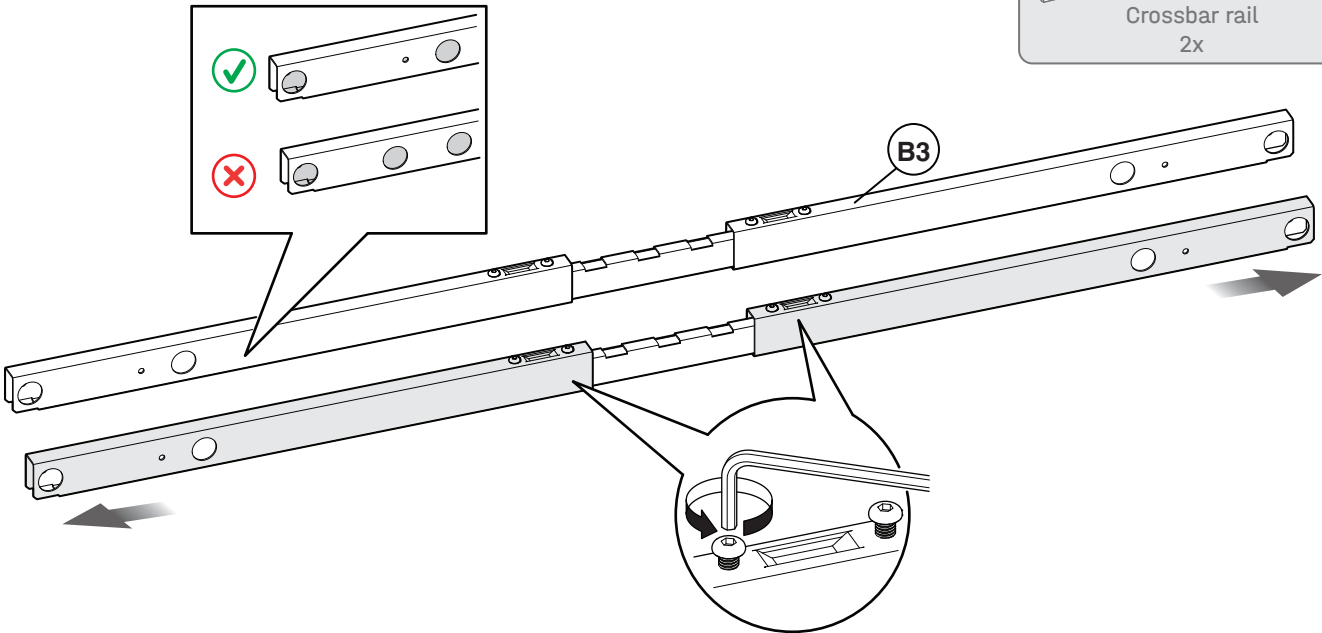
H1  M6x12 14x	H2  M6x10 4x	H3  Screw clamp 12x	H5  M8x16 4x	H7  5mm rubber 12x	H8  Tapping screw 5x20 10x	H15  M6x30 2x
H18  Corner bracket 1x	T1  Hex key 1x					

Note: There may be additional hardware included in the package, as these are used for different desk configurations.

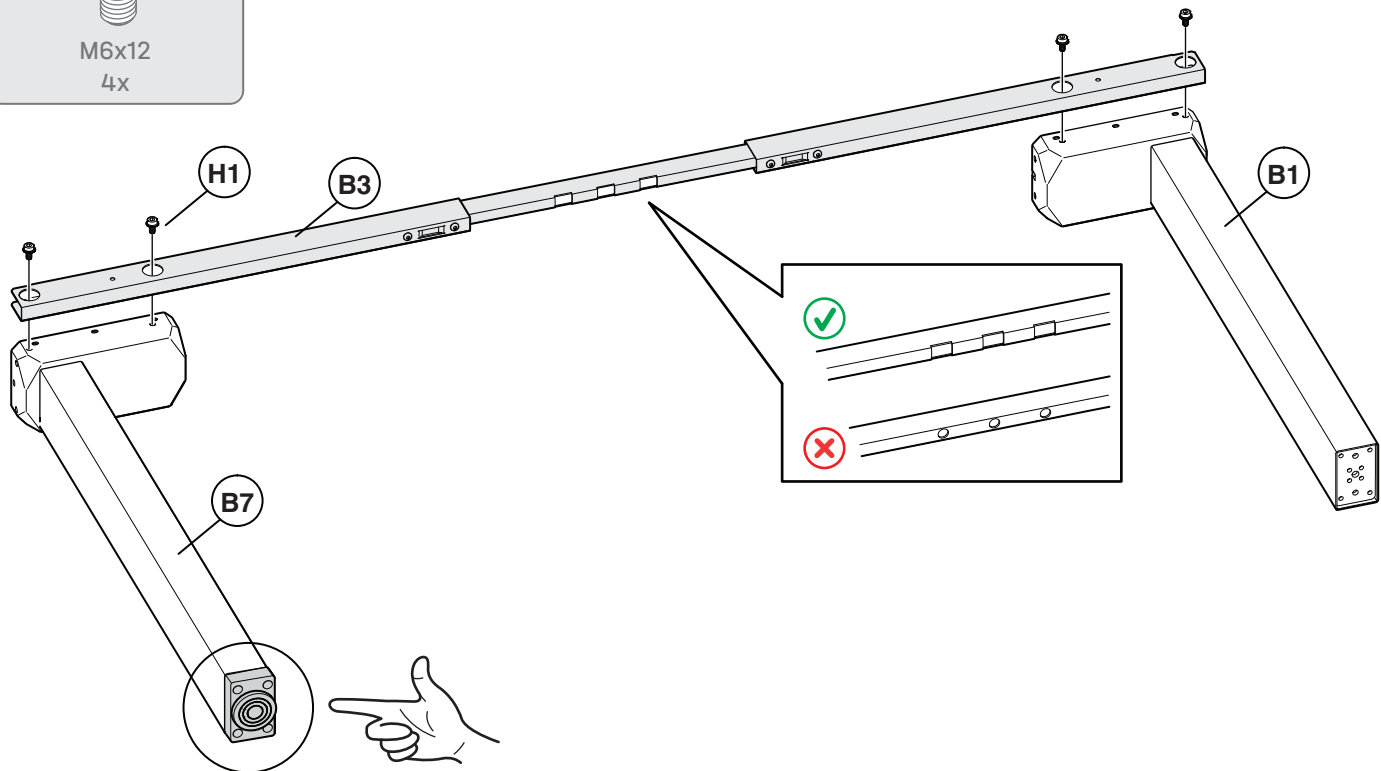
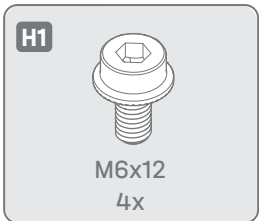


ASSEMBLY INSTRUCTIONS

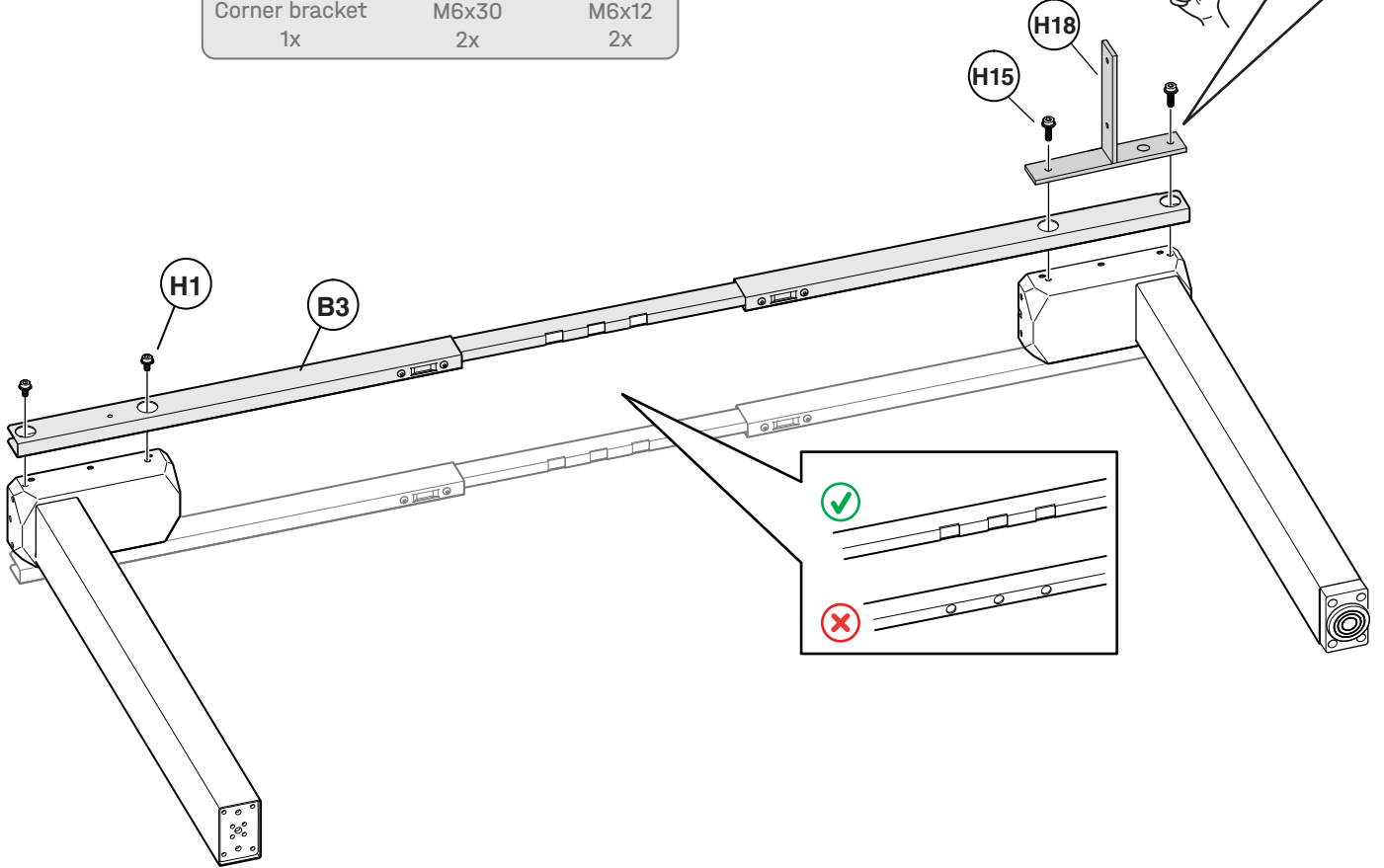
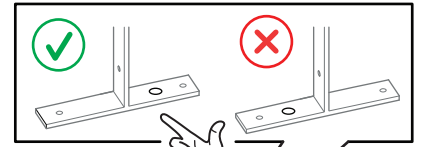
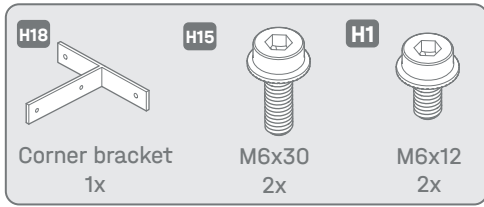
1



2

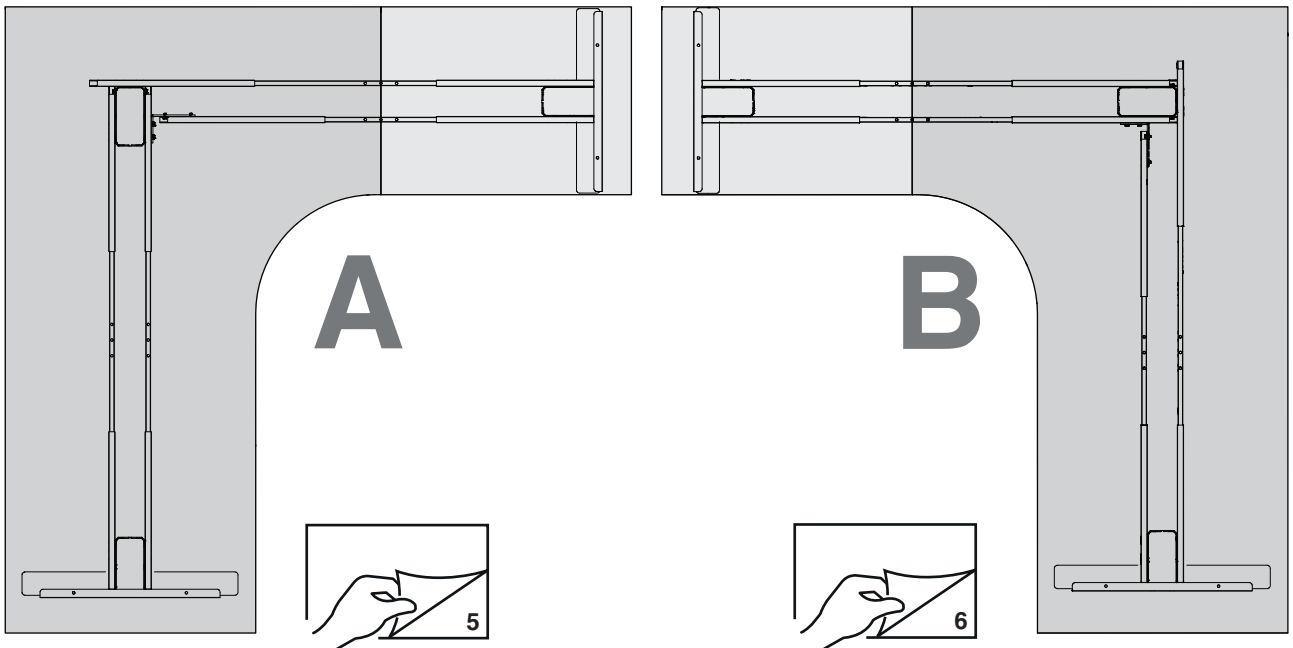


3

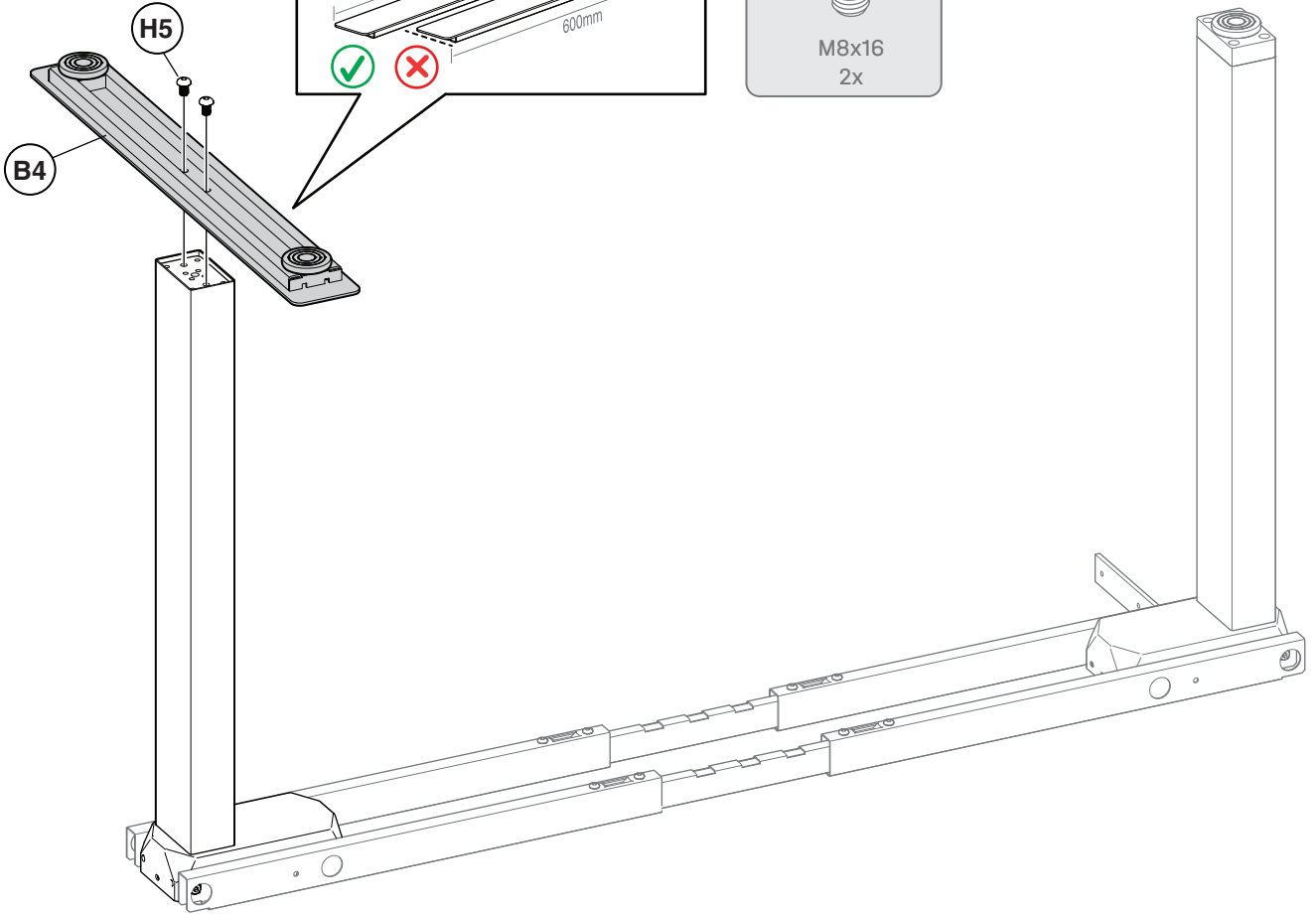
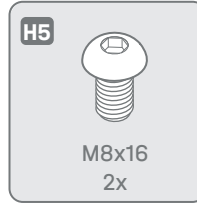
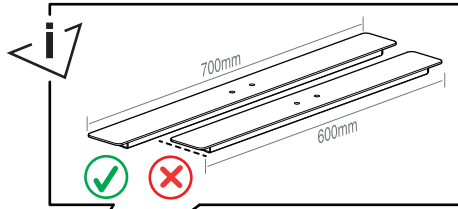


4

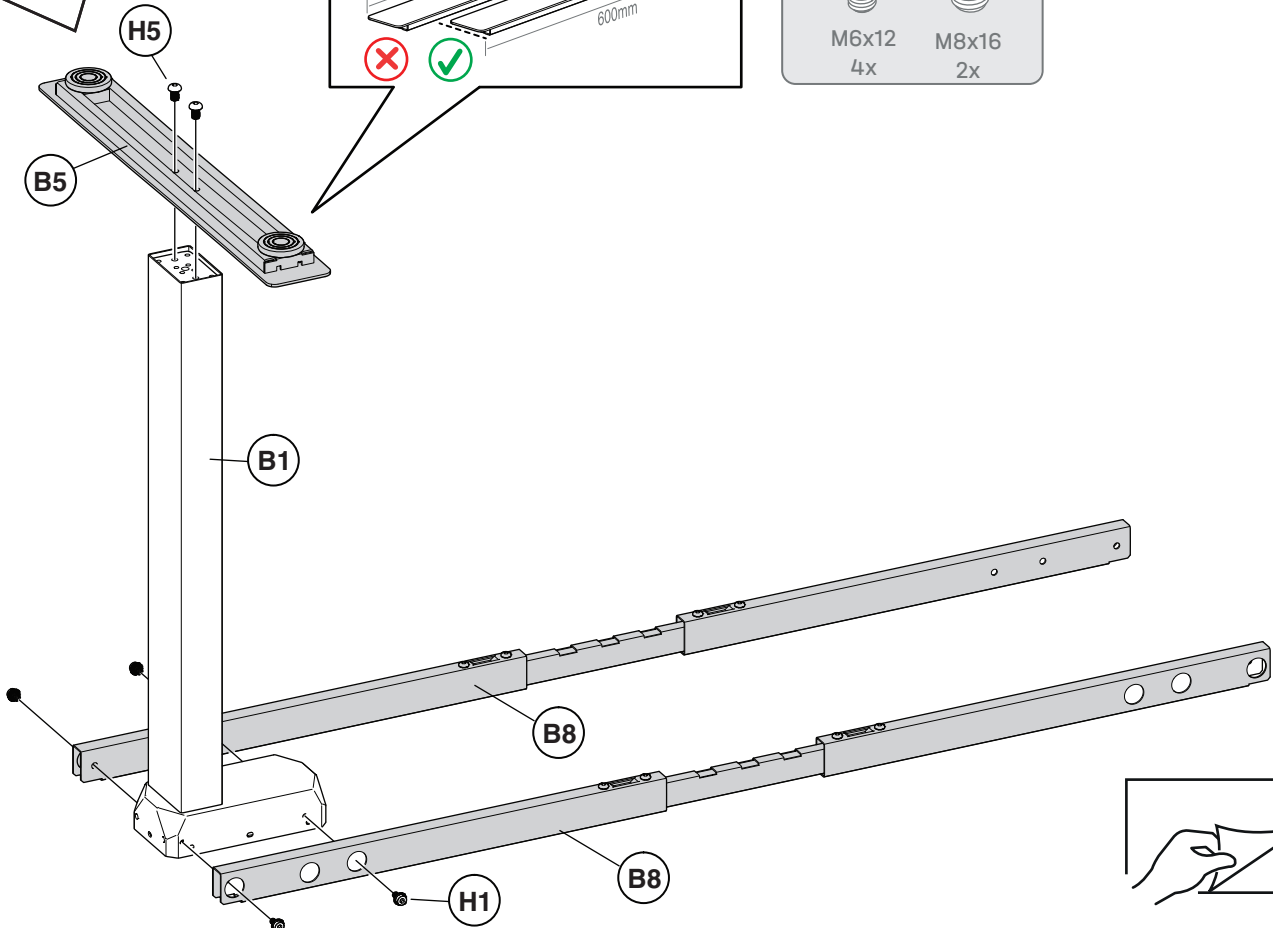
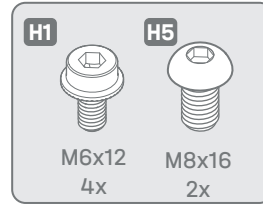
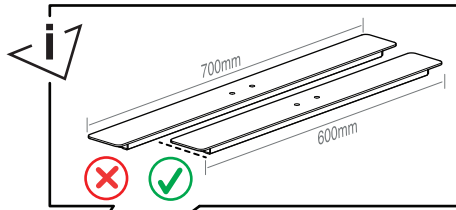
Top view



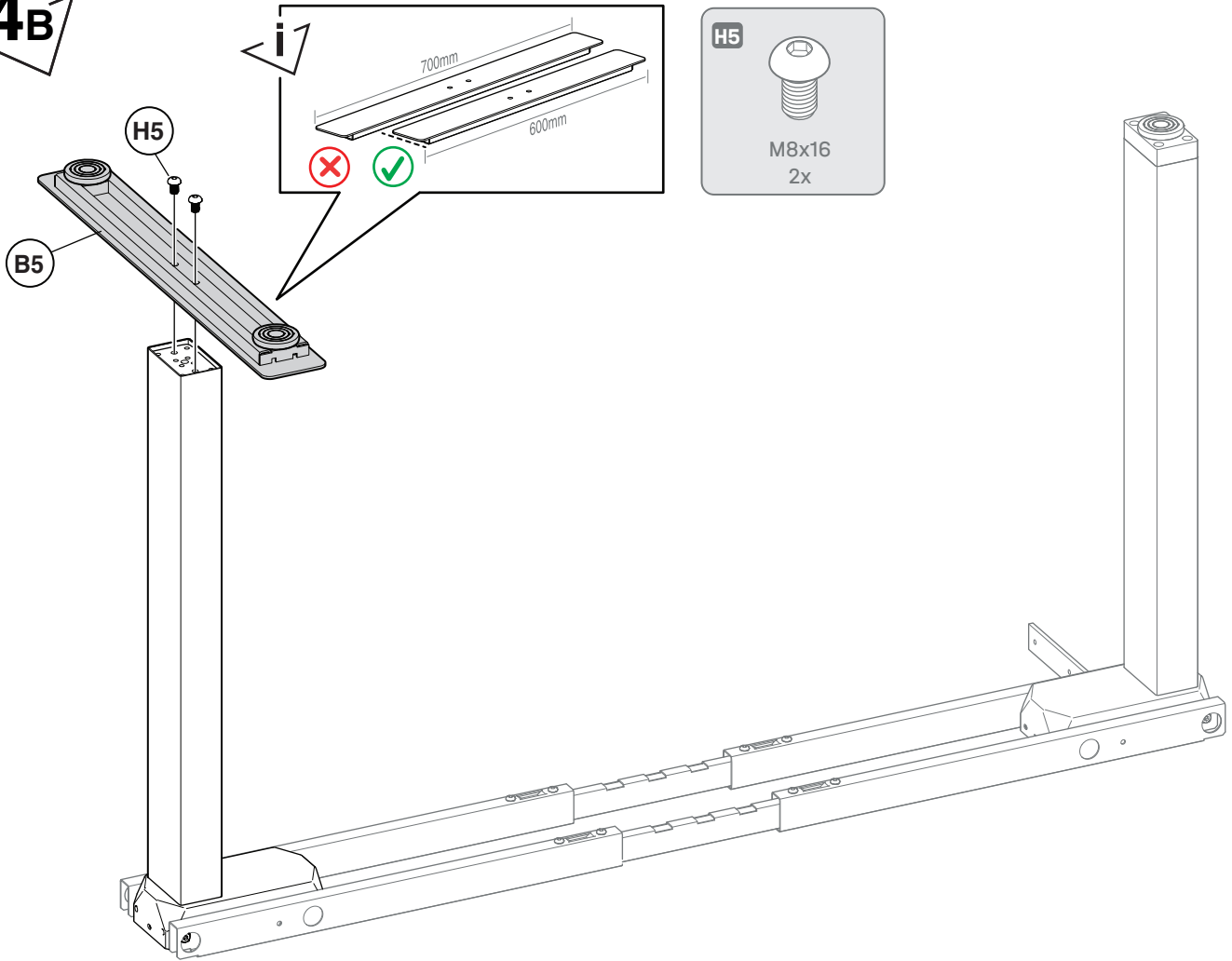
4A



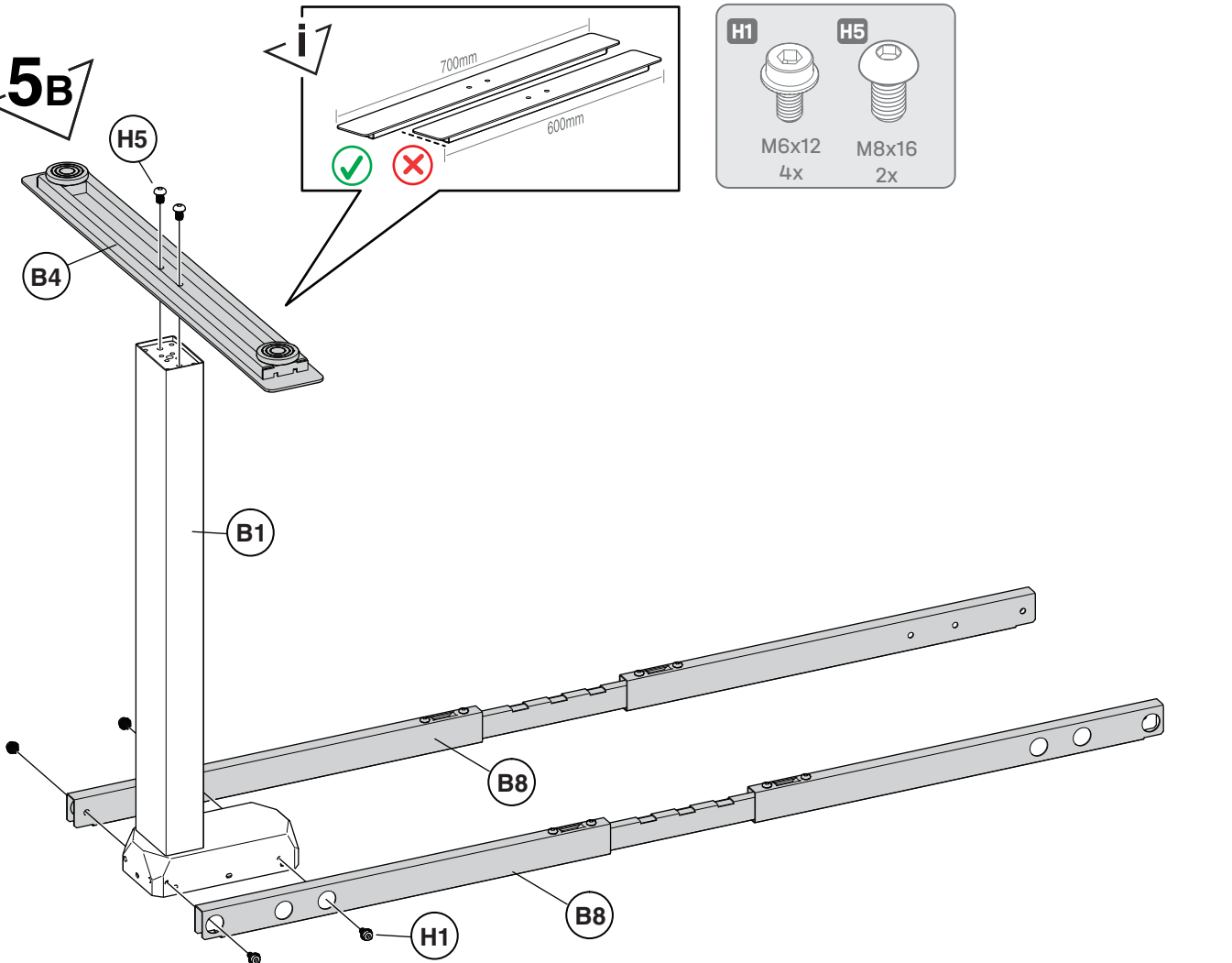
5A

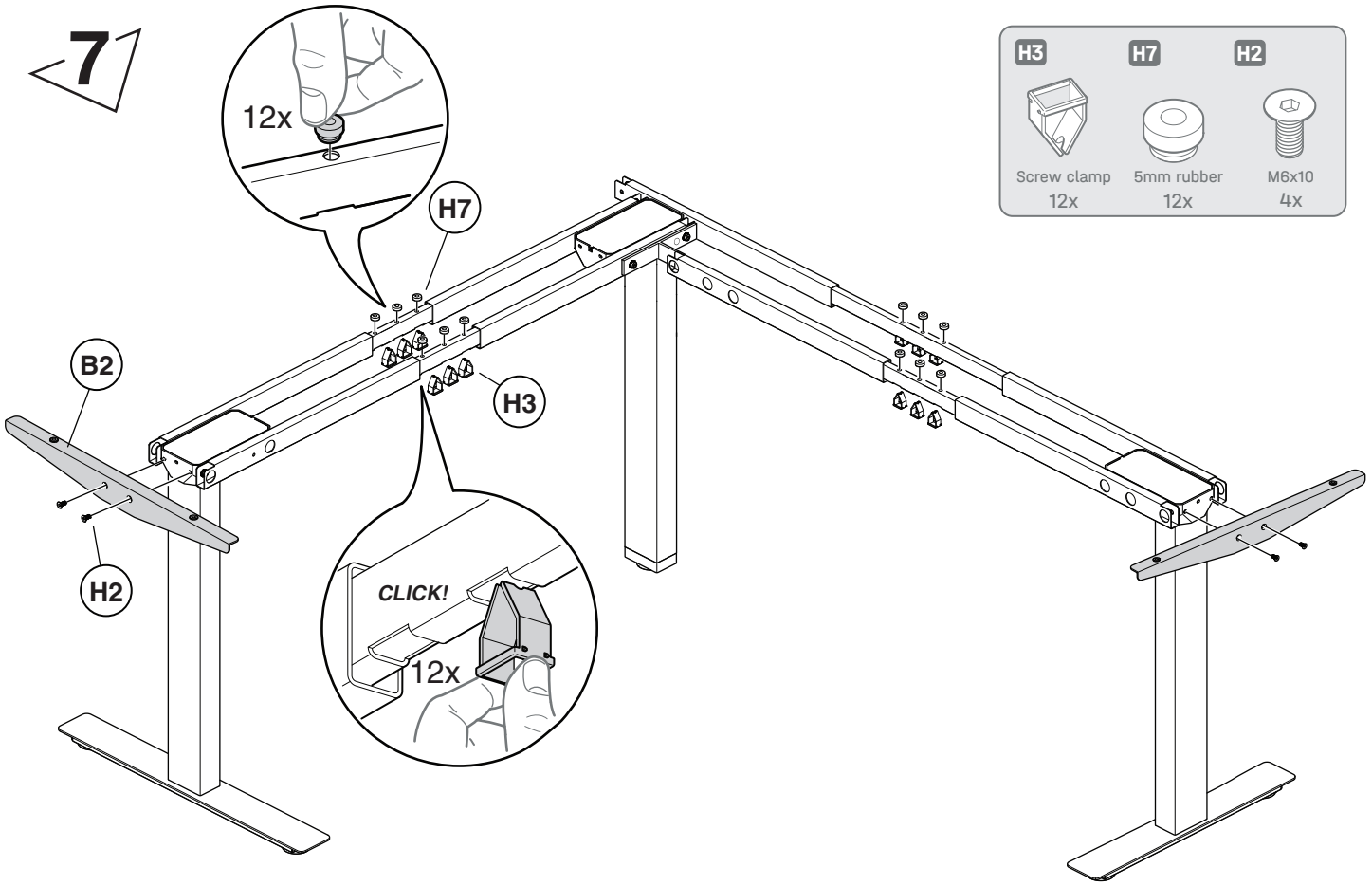
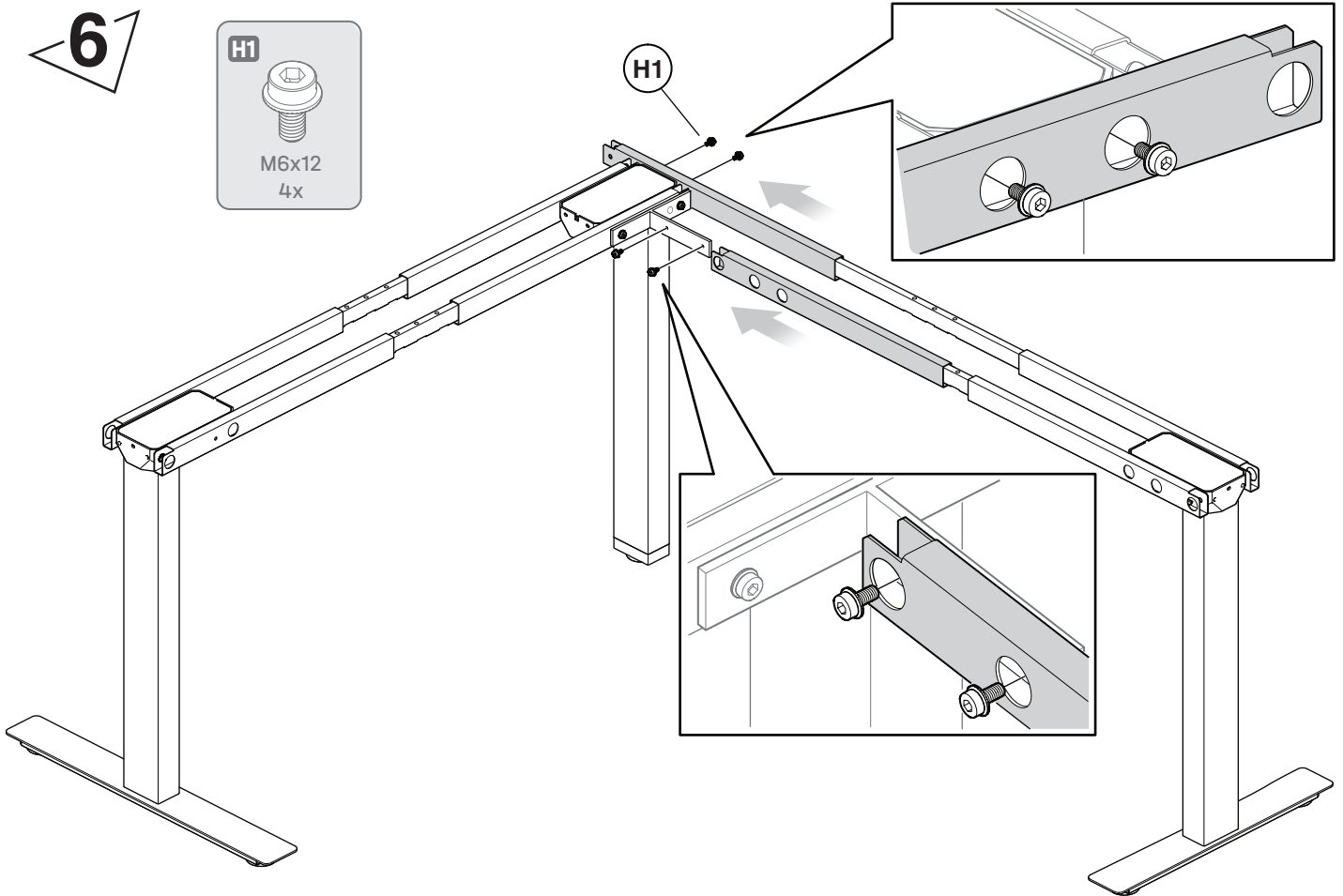


4B

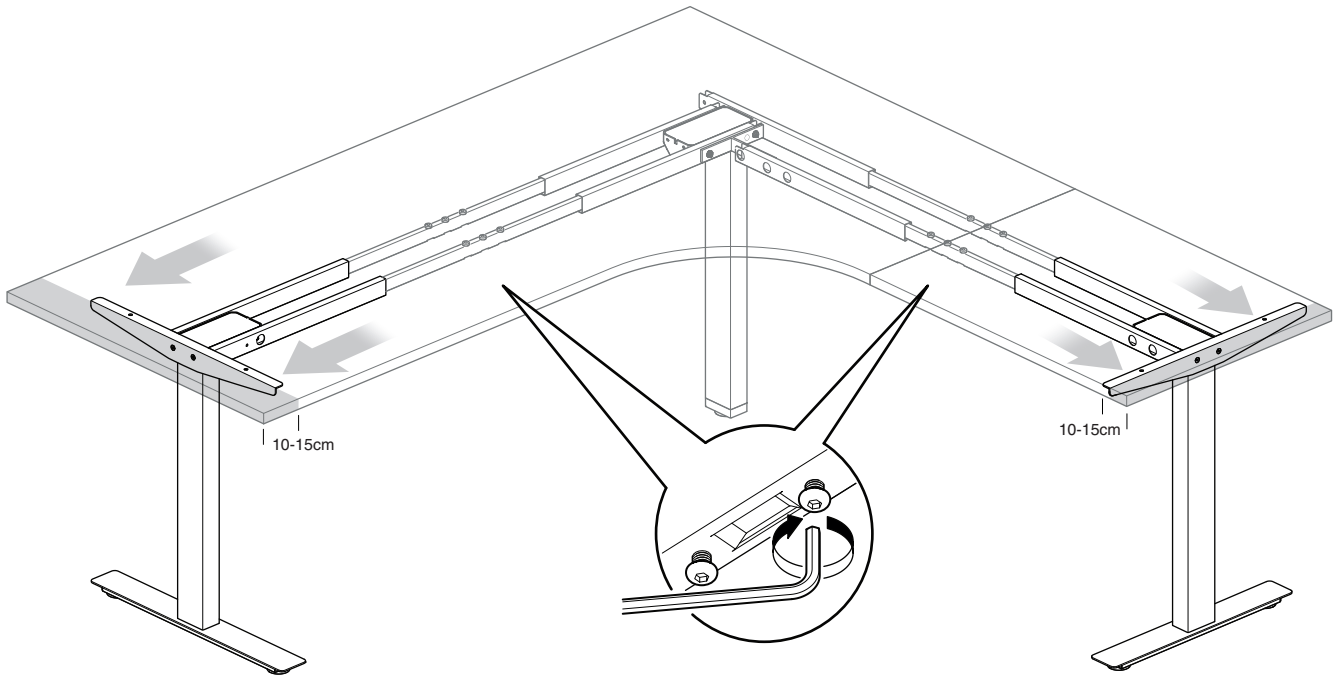


5B

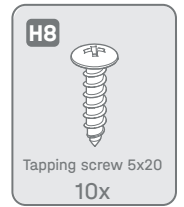
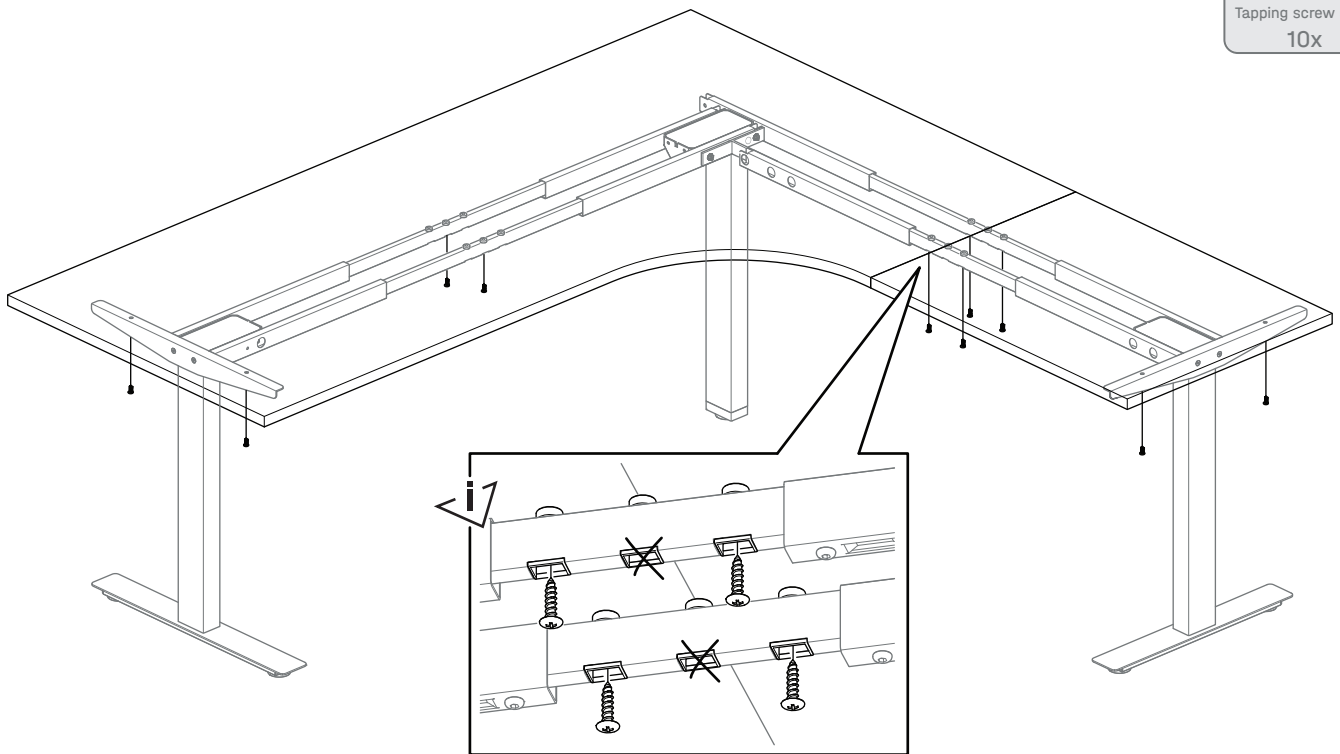




8



9



Assembly instructions - 3 leg corner desk

English

Step 1

Start with the two crossbar rails (B3). Make sure that you pick the correct ones, as they are very similar to the add-on crossbar rails (B8). See illustration to check the difference. The crossbar rails are compressed when delivered.

1. Loosen the set screws slightly and extend the inner rail.

Step 2

1. Take the corner leg (B7) and one leg (B1) lay them on a flat surface.
2. Place a crossbar rail (B3) across the legs, ensuring the square holes on the inner rail face down.
3. Attach the crossbar to the legs with four M6×12 screws (H1).

Step 3

1. Flip the assembly and place the second crossbar rail (B3) across the legs.
2. Attach the corner bracket (H18) to the crossbar rail with two M6×30 (H15), ensure that the circular marking is in the correct orientation as illustrated.
3. Attach the other end of the crossbar rail with two M6×12 screws (H1).

Step 4a/4b

1. Here you need to decide the orientation of the smaller add-on table top. Follow either option A or B. Install the feet by using two M8×16 screws (H5) on the leg assembly.

Step 5a/5b

1. Take the remaining leg (B1) and install the corner leg crossbar rails (B8), using four M6×12 screws (H1).
2. Install the remaining feet by using two M8×16 screws (H5).

Step 6

1. Turn the frame to upright position. Take the add-on leg assembly and fix one crossbar rail to the corner bracket on the leg assembly, using two M6×12 screws (H1).
2. Fix the other crossbar rail to the corner leg using two M6×12 screws (H1).

Step 7

1. Install the side brackets (B2), each with two M6×10 screws (H2).
2. Attach 12 rubber bushings (H7) in the round holes on the middle rails, facing upwards towards the table top.
3. Attach 12 plastic screw clamps (H3) in the square holes on the middle rails.

Step 8

1. Adjust the width of the frame assembly by moving the legs closer together or farther apart.
2. Make sure there is a 5-10cm gap between the frame and the edge of the table top.
3. Tighten all the set screws on the crossbar rails.

Step 9

1. Fix the tabletop to the frame, using the included tapping screws 5×20mm (H8).
On the add-on table top, use two screws for each crossbar rail and skip the middle one as illustrated.