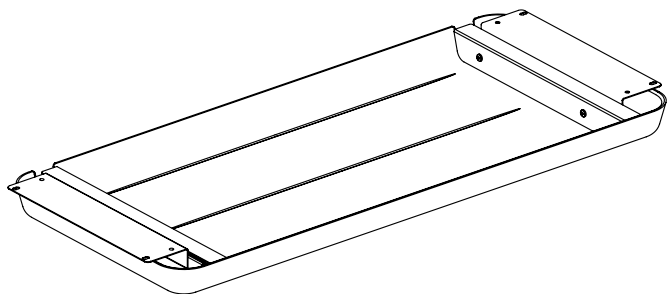


PARTS



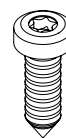
FELT DRAWER

Large: 6000-0083

Or

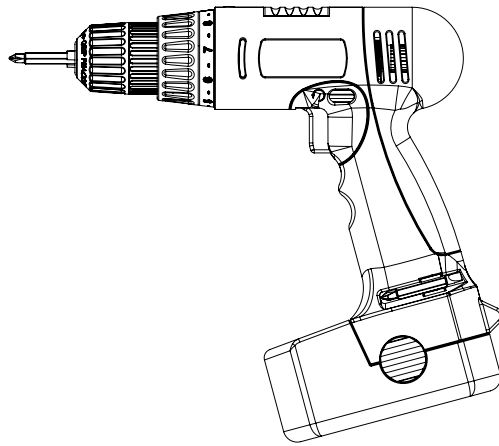
Slim: 6000-0192-0006 // 6000-0192-9000

// 6000-0192-0038 // 6000-0192-0034



8 x SELF-TAPPING SCREWS

WHAT YOU WILL NEED

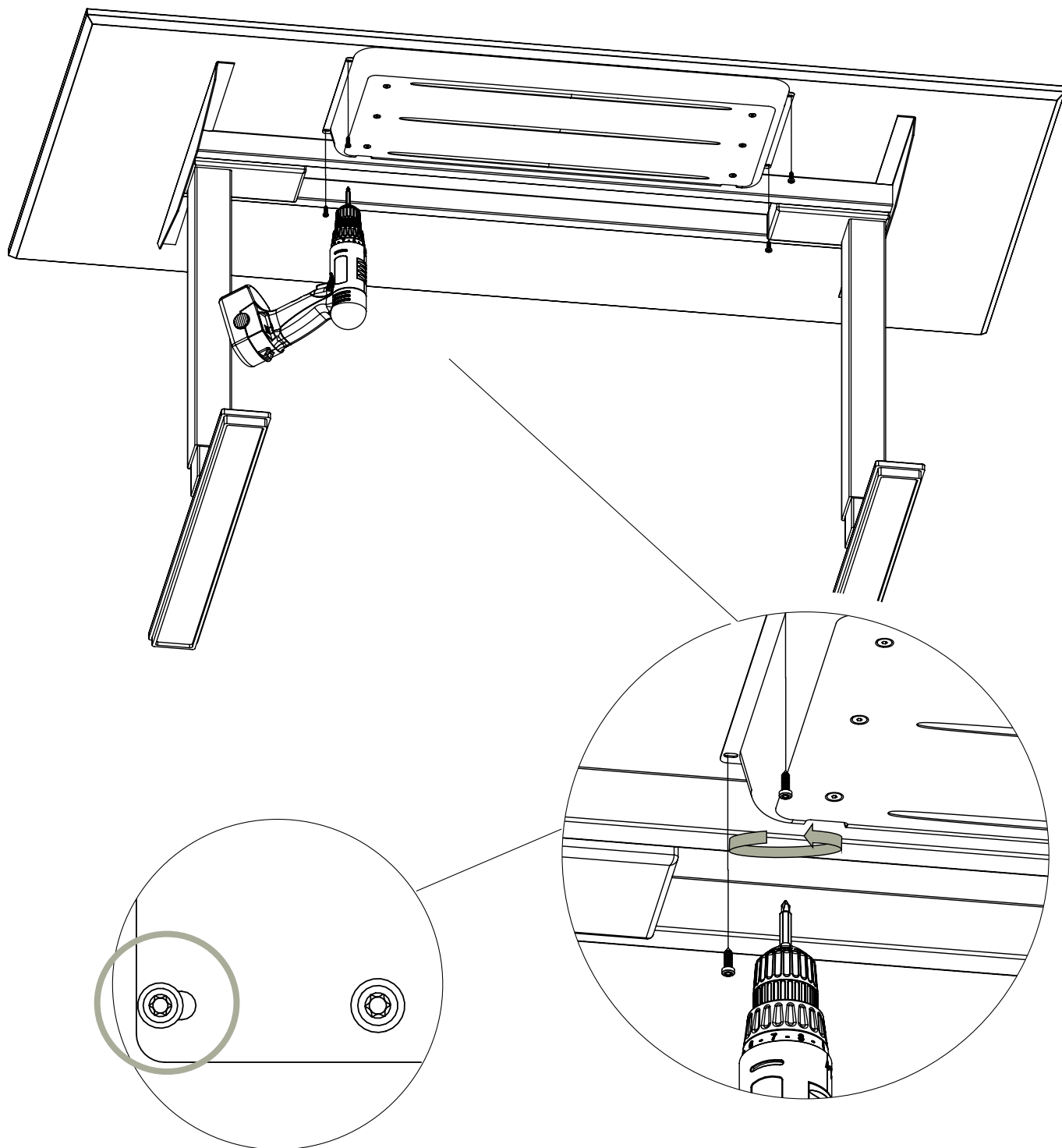


1 x ELECTRIC DRILL

STEP 1

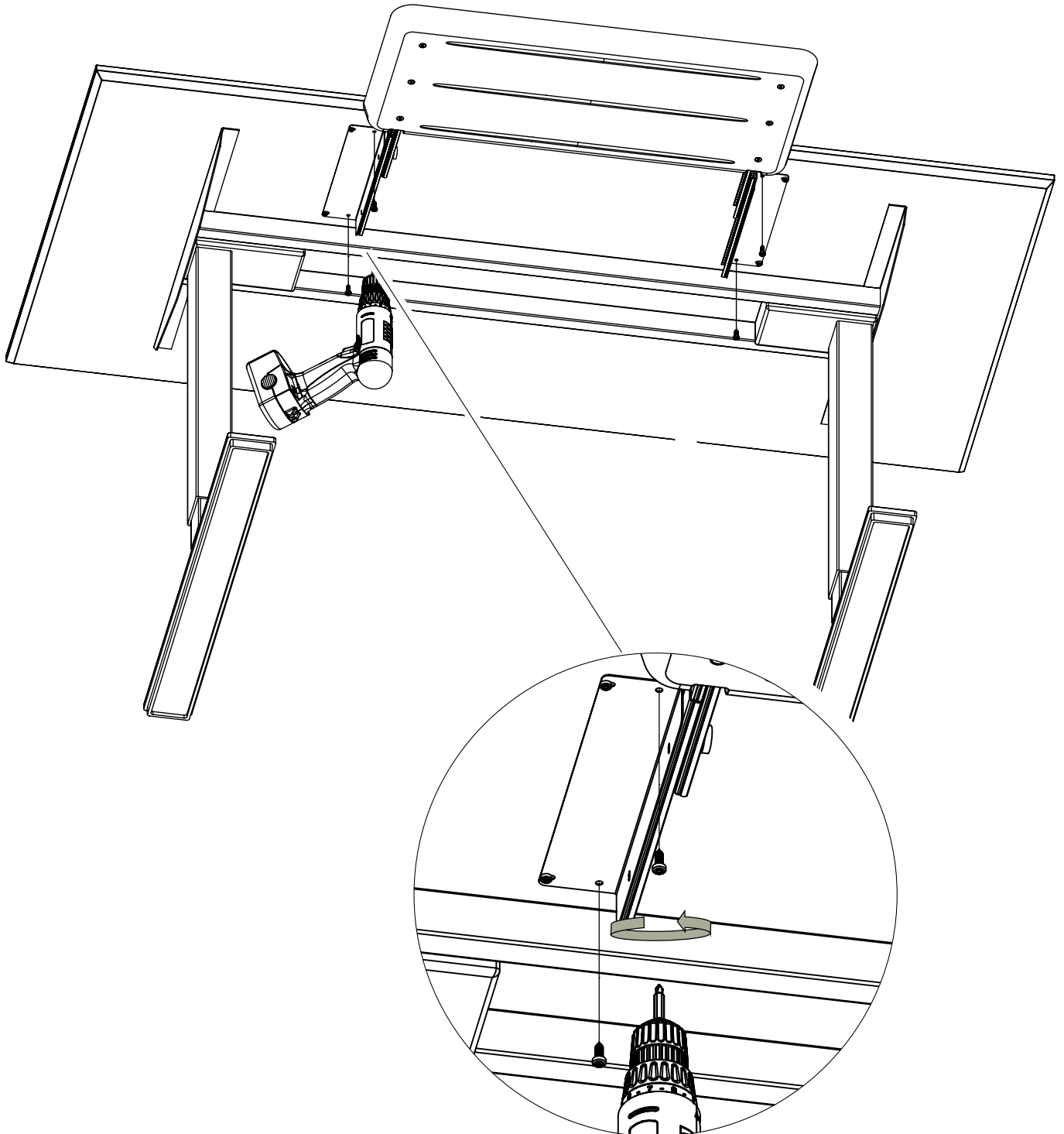
Place the felt drawer underneath the table top running parallelly with the edge. Now carefully insert the self-tapping screws into the holes of the felt drawer, and use the electrical drill until the self-tapping screws have been sufficiently tightened.

Note: We recommend you to place the self-tapping screws as shown on the illustration.



STEP 2

Pull out the drawer. Now carefully insert the self-tapping screws into the holes of the felt drawer, and use the electrical drill until the self-tapping screws have been sufficiently tightened.



STEP 3

The felt drawer is now ready to be used. Enjoy!

